



Applications

Designed for use with Dudley Vantage and Miniflo concealed cisterns and Illusion A and V frames.

Water Saving

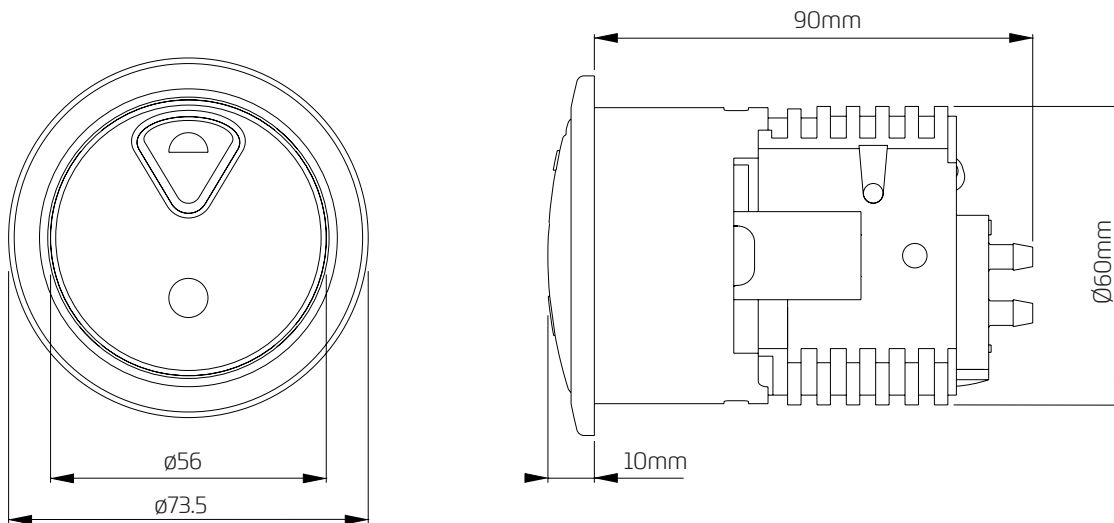
Dual Flush operation provides reduced flush for enhanced water saving.

Features

- ~ Chrome plated finish
- ~ Smooth pneumatic operation
- ~ Can be positioned up to 250mm from the cistern.



Dimensional Data



Technical Data

Wall Thickness	12-32mm
Installation Aperture	Ø62-65mm hole
Fixing Type	Locking Collet (Supplied)
Button Operation	Pneumatic
Flush Option	Dual Flush



Applications

Designed for use with Dudley Vantage and Miniflo concealed cisterns and Illusion A and V frames.

Water Saving

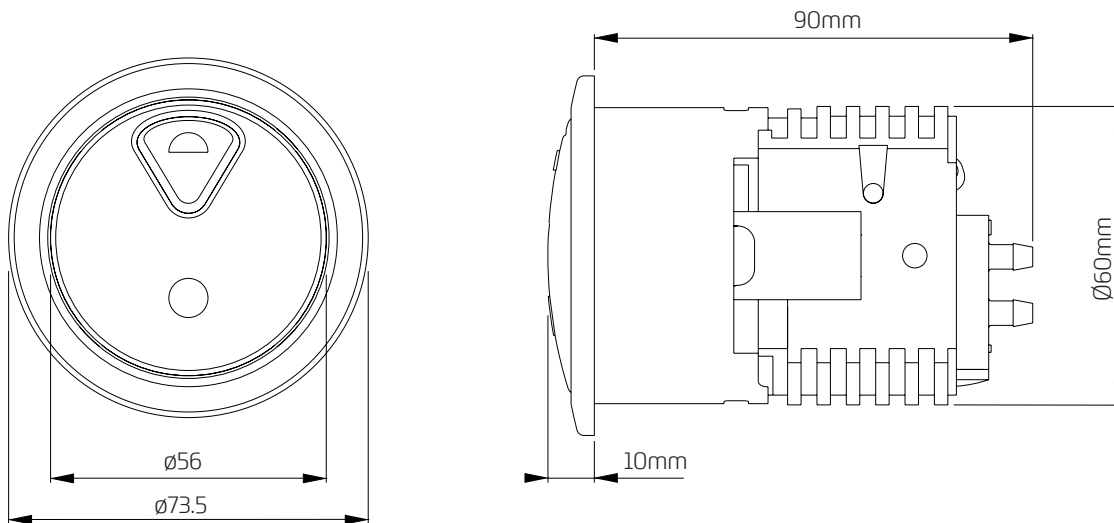
Dual Flush operation provides reduced flush for enhanced water saving.

Features

- ~ White finish
- ~ Smooth pneumatic operation
- ~ Can be positioned up to 250mm from the cistern.



Dimensional Data



Technical Data

Wall Thickness	12-32mm
Installation Aperture	Ø62-65mm hole
Fixing Type	Locking Collet (Supplied)
Button Operation	Pneumatic
Flush Option	Dual Flush